



SOLERA® POWER AWNING
OWNER'S MANUAL

L I P P E R T
C O M P O N E N T S™

TABLE OF CONTENTS

Operation	2
Extending the Awning.....	2
Adjusting Pitch.....	3
Fabric Care.....	3
Manual Override.....	4
Solera Power® Awning Assembly Webpage	5
Solera Power® Awning Components Webpage	6
Variant Code Information.....	6
Ordering Replacement Fabric.....	9

Operation

Extending the Awning

1. Verify the battery is fully charged and connected to the electrical system.
2. Locate the locking latch (Fig. 1), if equipped, on the drive side awning arm and unlock the latch (Fig. 2).

NOTE: This latch is optional and may not be installed.

3. Press and hold EXTEND (Fig. 3A) until the awning is extended completely.

NOTE: Extension is considered complete when the awning valance seam reaches the leading edge of the awning tube (Fig. 4).



Over extending the awning will roll the awning back up the wrong way and could damage the system and will void the Limited Warranty.



Tying the roll bar down once extended will not allow the free floating support arms to work as designed and may cause damage to the awning or RV.

Fig. 1



Fig. 2



Fig. 3

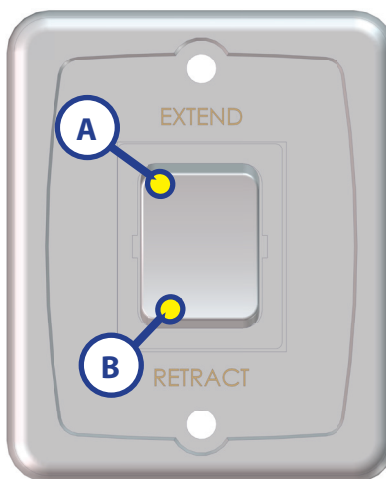
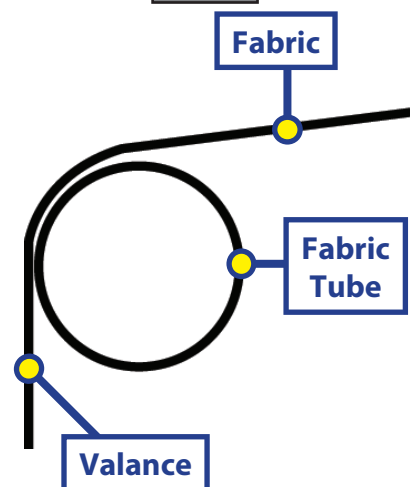


Fig. 4



Retracting the Awning

1. Verify the battery is fully charged and connected to the electrical system.
2. Press and hold RETRACT (Fig. 2B) until the awning is retracted completely.
3. Locate the locking latch (Fig. 2), if equipped, on the drive side awning arm and lock the latch to secure the awning in place (Fig. 1).

NOTE: This latch is optional. If not installed, awning is secured and ready for transportation.

Adjusting Pitch

NOTE: Without manually setting pitch to the awning, the awning will pitch itself to purge excessive water pooling in one location and may dump a significant amount of water to either end of the awning without notice.

1. Pitch can be set manually by adjusting the articulating arm to tip one side of the awning to allow water runoff.
2. Extend awning to desired location.
3. Choose the side of the awning for optimum or convenient water runoff. Pull downward on the joint of the articulating arm (Fig. 5) until pitch is set to allow for water runoff. Do not push the articulating arm past straight. This will put tension on the gas strut and can break it. The Belleville washers and bolt allow for the joint (Fig. 6A) to remain in the position set by the operator.

Fig. 5

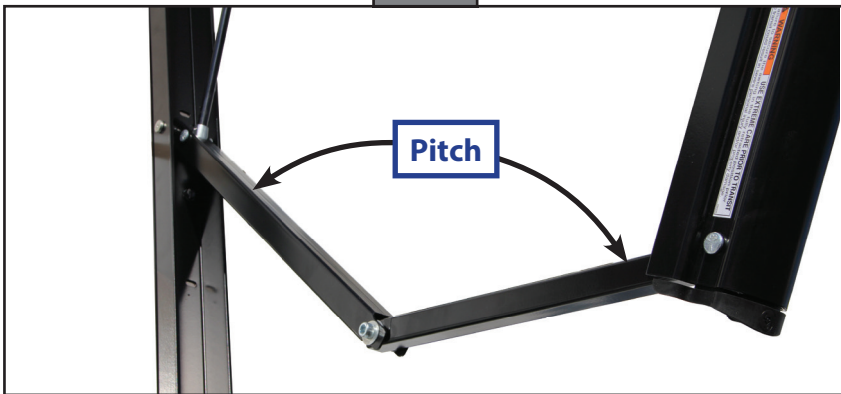
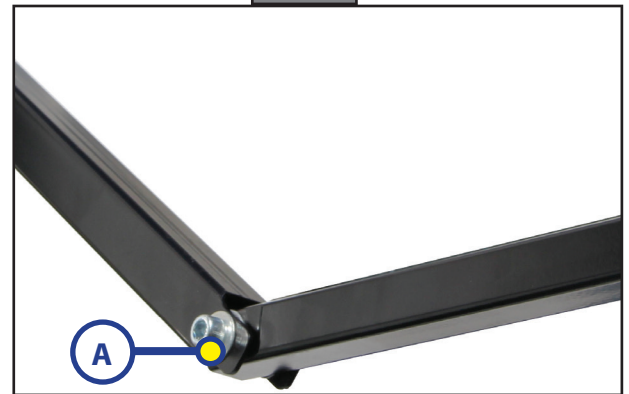


Fig. 6



Fabric Care

If the awning is rolled up while wet, roll it out and let it dry as soon as conditions allow before rolling it up again. This will help prevent the formation of mildew and add greatly to the life of the awning. Mildew does not form on the fabric itself, but on the accumulated dust, dirt and grime. Periodically clean vinyl or woven acrylic fabric using a mixture of ¼ cup of dish soap mixed with 5 gallons of warm water. Liberally slish the mixture on the top of the fabric and roll the awning up for 5 minutes. This will apply the mixture to the bottom as well. Roll it out and hose off with fresh water. Repeat if necessary. Allow to dry before rolling up.

Manual Override

In the event of power loss or motor failure, the awning can be extended and retracted manually. Perform the following procedure to manually retract the awning.

1. Remove rubber plug from the power head assembly exposing the manual override nut on the motor (Fig. 7A).

NOTE: The power head is always located on the right side of the awning as it is viewed from outside of the coach.

2. Using a $\frac{7}{16}$ " nut driver and power drill, spin the manual override nut counterclockwise to retract the awning (Fig. 8). A $\frac{7}{16}$ " socket and ratchet can be used if a drill is not available, however it will take much longer to retract the awning.

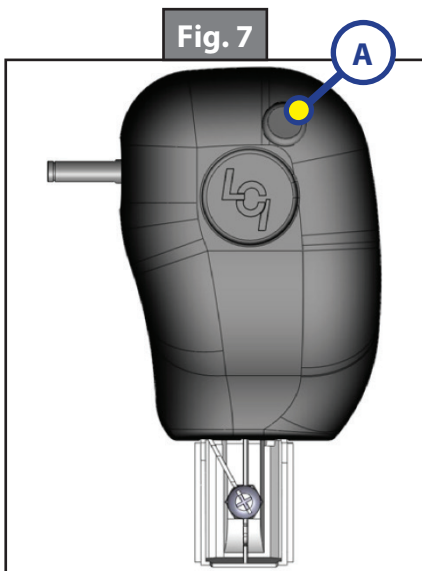
NOTE: Use caution when retracting manually as the use of a step stool or ladder may be required to completely retract the awning.

3. When awning is completely retracted, remove socket or drive device and replace rubber plug in power head assembly.

NOTE: The motor's internal drive system prevents the awning from moving (extend or retract) on its own. If the motor is damaged or disabled, be sure to secure the awning in the retracted position with straps before the override nut is released.



During incidents of high wind, heavy rain or extended time away from the unit, it is advisable to retract the awning completely to prevent damage to the awning and the RV.

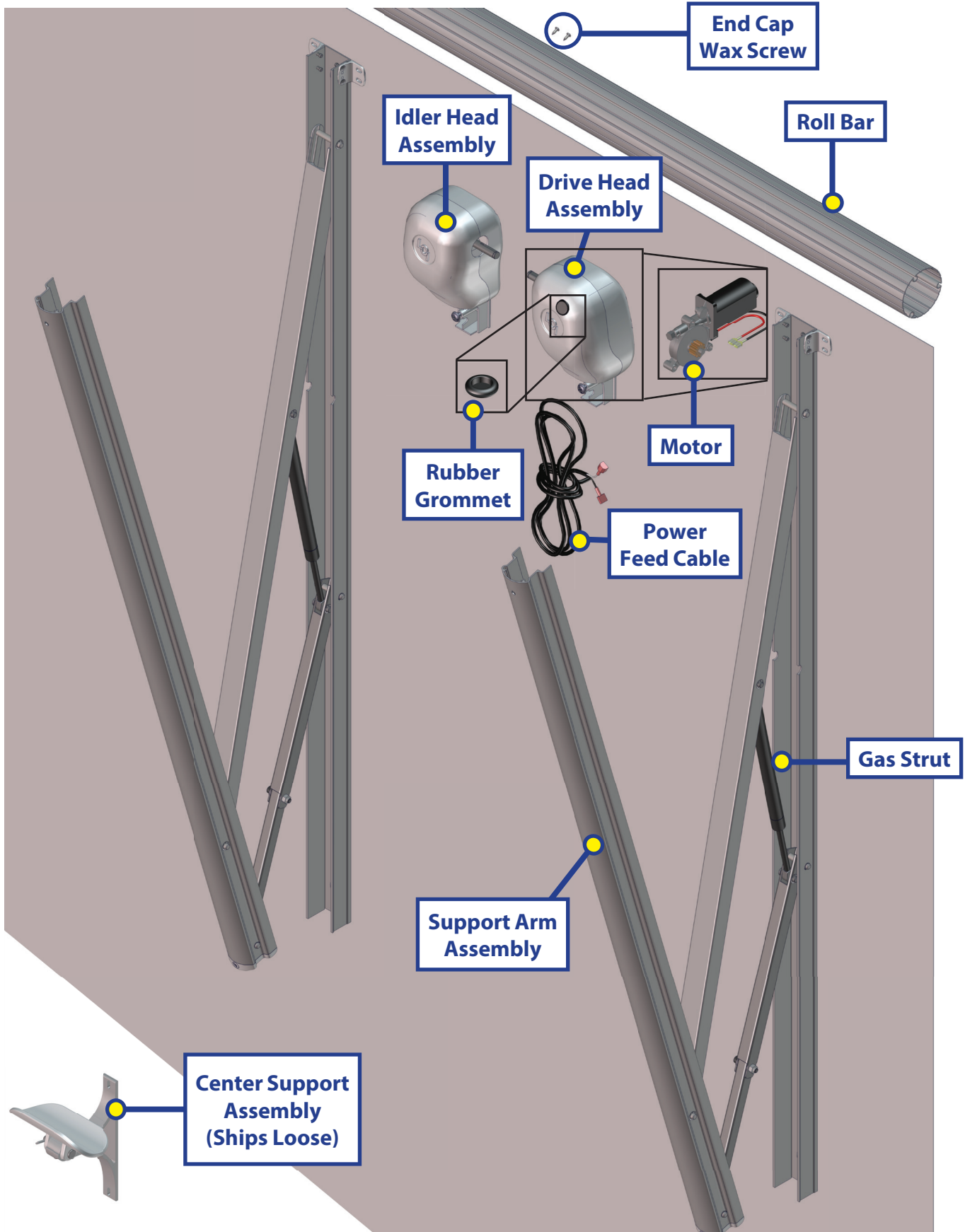




LIPPERT
COMPONENTS

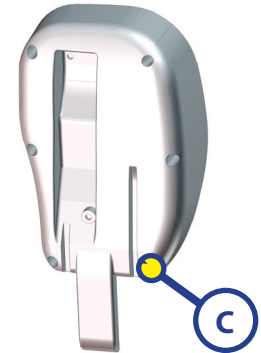
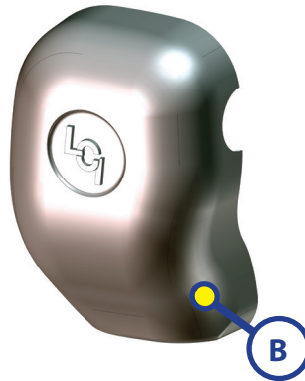
SOLERA® POWER AWNING ASSEMBLY WEBPAGE

AWNINGS

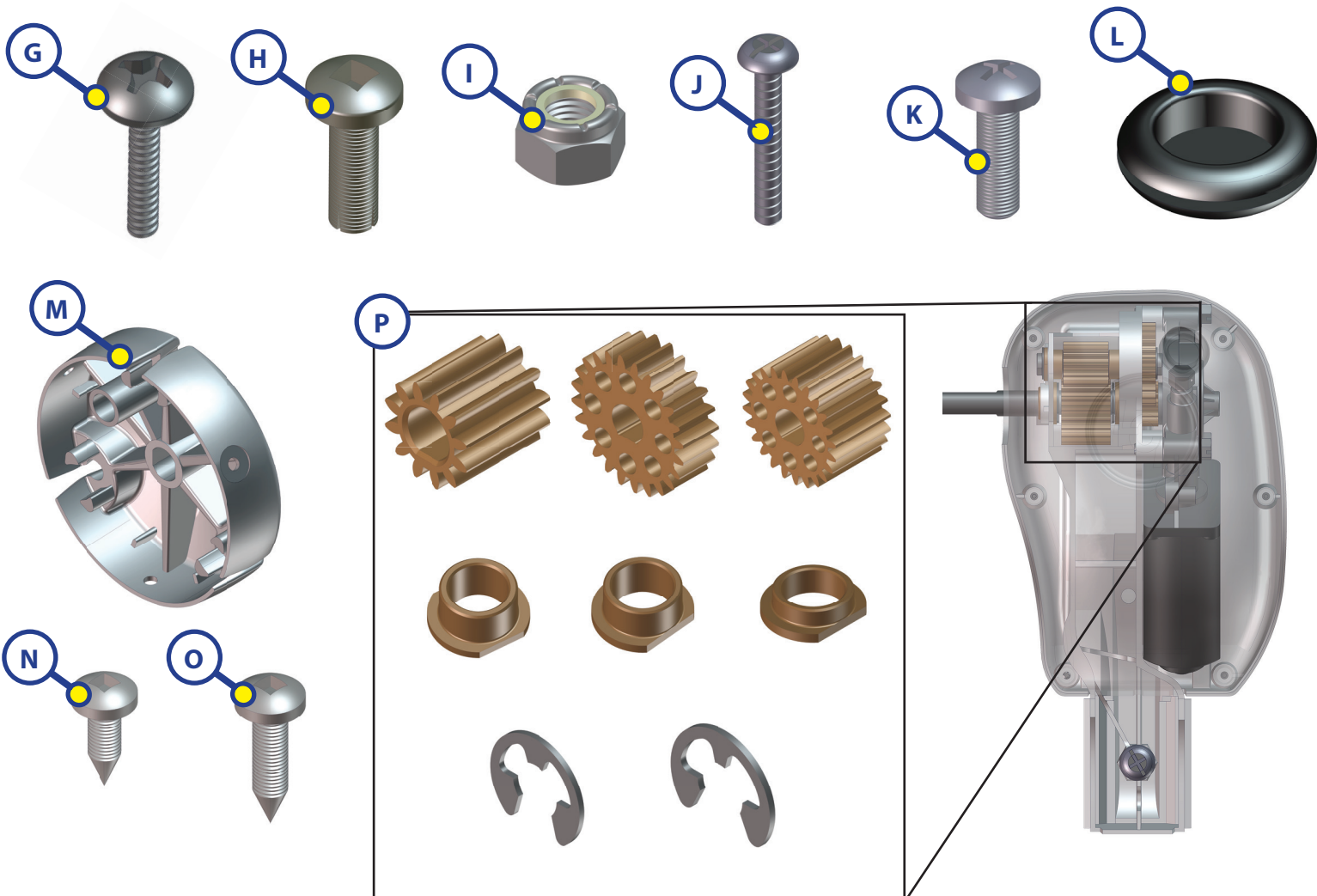


Variant Code Information

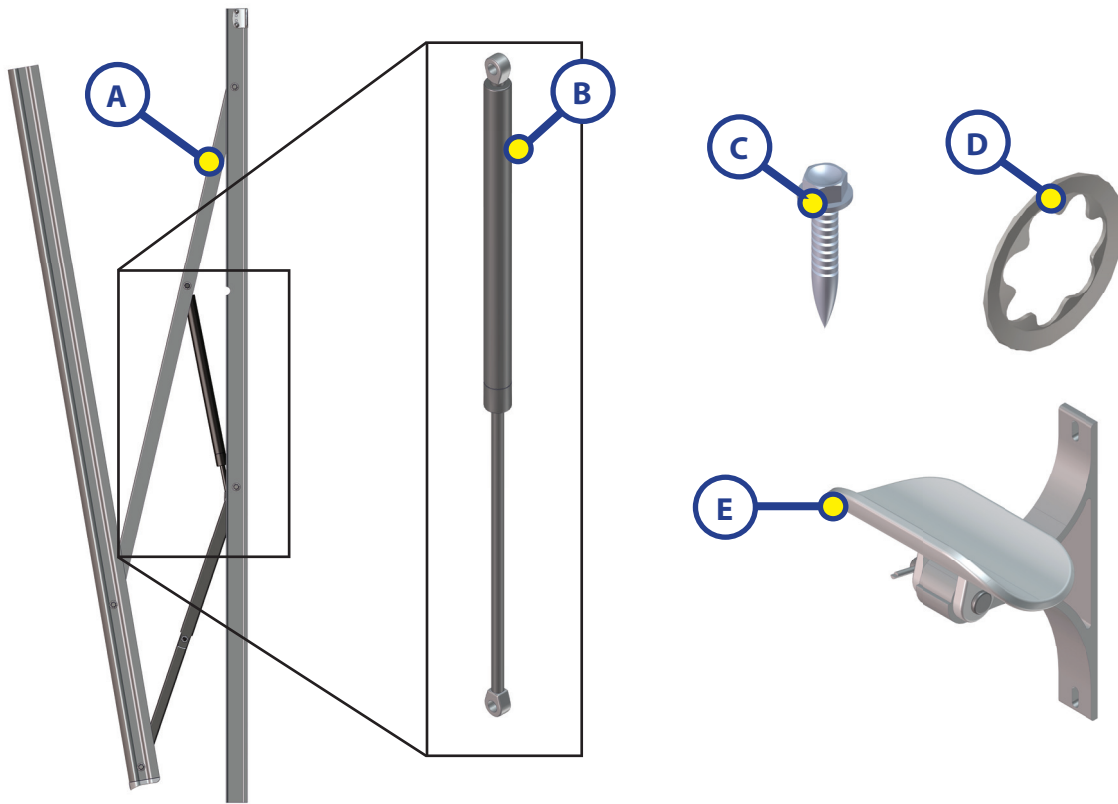
The variant code on Lippert products can assist LCI customers in obtaining additional information about the product and its components. For replacement part information, locate the variant code as outlined below and call LCI customer service at 574-537-8900.



Callout	White Part #	Black Part #	Description
A	266147	273479	Idler Head Assembly
B	289563	289566	Idler Head Front Cover
C	289564	289567	Idler Head Rear Cover
D	266146	273478	Drive Head Assembly
E	289557	289560	Drive Head Front Cover
F	289558	289561	Drive Head Rear Cover



Callout	Part #	Description
G	266156	#6 X 1/2 ZN Screw (fastener for head covers, 6 per cover)
H	299630	#8 End Cap Wax Screw (head to rollbar)
I	118043	Nut 5/16-18 Nylock ZN ST (head to arm)
J	266148	Screw 5/16 - 18 X 2 - 1/4 (head to arm)
K	266155	Screw #8-32 x 1/2 PH PNH MACHG ZN FTHTD (back cover to mount)
L	275071	Rubber Grommet (around manual override on drive head)
M	2661301	End Cap for power heads (White)
	2661302	End Cap for power heads (Black)
N	299419	Screw - # 8 - 15 X 1/2 PNH ZN SQ A ST (Endcap to Rollbar)
O	178231	#10 x 3/4" Hex, Tek Screw (Cord to Rollbar)
Drive Head Gear Kit		Qty. Part# - Description
P	353964 (Only available as a kit)	1 266133 - .873" 20 PA 16 DP, D SLOT GEAR
		1 266134 - .442" 20 PA 16 DP, CLR ZN GEAR
		1 266136 - .500" 20 PA 16 DP, CLR ZN GEAR
		2 266142 - Bushing
		1 266143 - Bushing
		1 281828 - Bushing
		2 266137 - E-Clip 1/2"
		2 276160 - E-Clip 3/8"

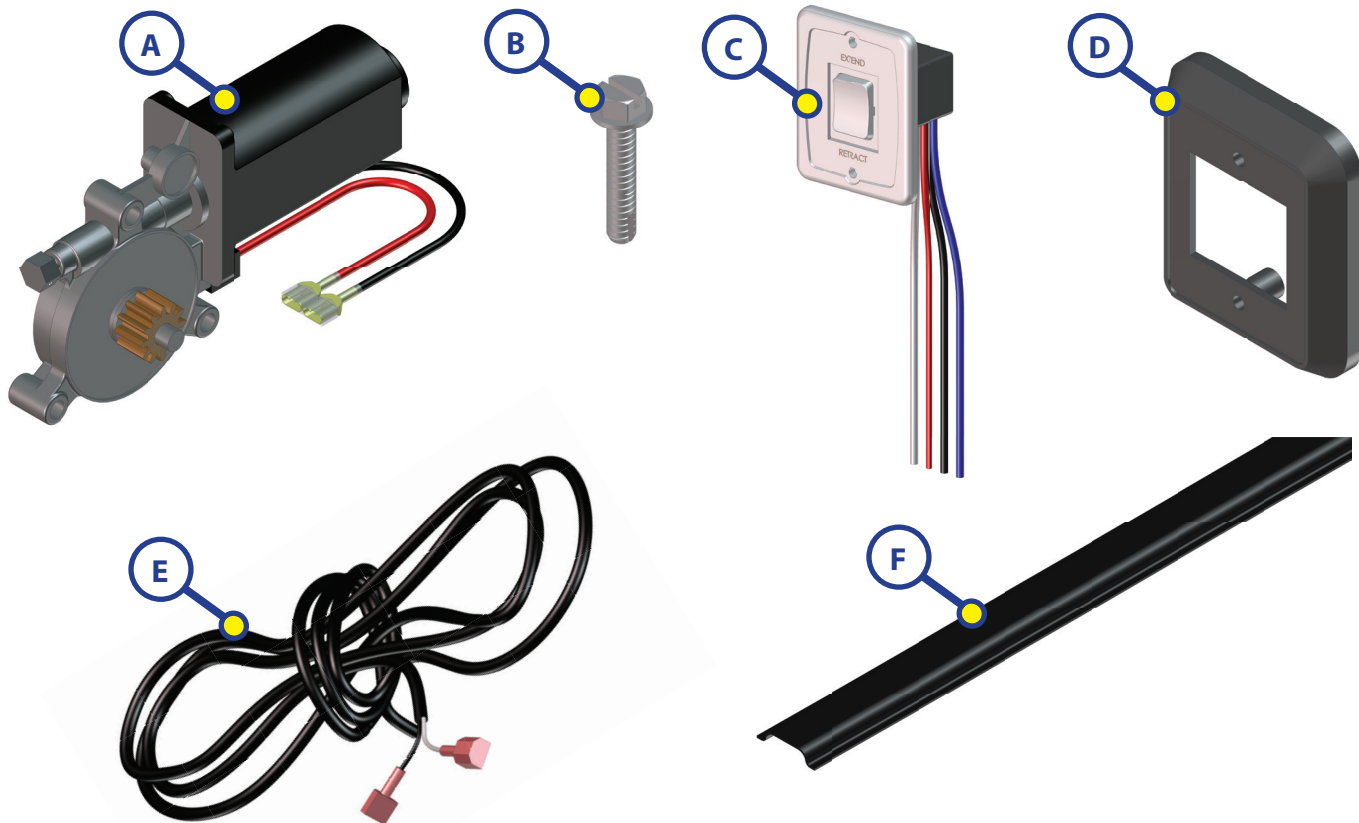


Callout	White Part #	Black Part #	Description
A	295742	295743	Support Arm Assembly (Short, 61") (One Arm)
	260294	266169	Support Arm Assembly (Pitched, 66 1/8") (One Arm)
	281152	281154	Support Arm Assembly (Flat, 69") (One Arm)
B	280343		Gas Strut; 26"; 124 LBS (for Short and Flat Arm assemblies)
	260282		Gas Strut; 124 - 144 LBS (for Pitched Arm assemblies)
C	286576		Screw - #14 - 10 x 1 1/2 (arms to coach)
D	282484		Star Washer (for Gas Strut)
E	289373	289374	Awning Center Support Assembly NOTE: Only required for Solera Awnings greater than 21' in length

Awning Fabric and Roll Bar Replacement

To order replacement awning fabric and roll bar for your awning, locate the awning label on the roll bar. Locate the variant code at the bottom of the label. Call LCI Customer Service at 574-537-8900 and provide the variant code.





Callout	White Part #	Black Part #	Description
A	266149		Motor
B	266132		Screw ¼ - 20 x ¼ IHWH 2N SLF ST (motor to mount)
C	285499	285500	Switch Kit (Switch, Plate, and Harness)
	280570		Wire Harness Only
	280565	280567	Switch Plate Only
	280564	280566	Switch Only
D	285079	285077	Bezel Spacer
E	273007		Power Feed Wires
F	275070157	2750701692	Wire Cover; 9.75"; Narrow
	275070353	2750701888	Wire Cover; 22"; Narrow
	266138481	2661382017	Wire Cover; 30"; Narrow
	266139337	2661391872	Wire Cover; 21"; Wide
	266139429	2661391964	Wire Cover; 26.75"; Wide



L I P P E R T C O M P O N E N T S™

The contents of this manual are proprietary and copyright protected by Lippert Components, Inc. ("LCI"). LCI prohibits the copying or dissemination of portions of this manual unless prior written consent from an authorized LCI representative has been provided. Any unauthorized use shall void any applicable warranty. The information contained in this manual is subject to change without notice and at the sole discretion of LCI. Revised editions are available for free download from www.lci1.com.

Please recycle all obsolete materials.

For all concerns or questions, please contact
Lippert Components, Inc.

Ph: (574) 537-8900 | Web: www.lci1.com | Email: warranty@lci1.com